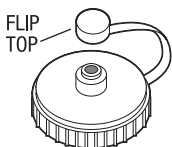


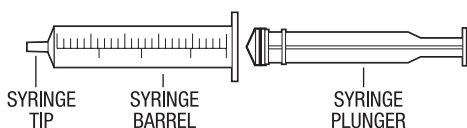
# INSTRUCTIONS FOR USE WITH ADAPTER CAP AND ORAL SYRINGE

## CONTENTS

ADAPTER CAP\*



5 mL ORAL SYRINGE



**\*WARNING: ADAPTER CAP IS NOT CHILD-RESISTANT.  
Keep out of reach of children.**

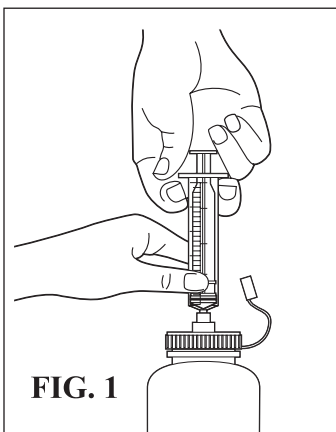


FIG. 1

1. Remove the existing white cap on the bottle.
2. Twist the blue adapter cap securely into place on the top of the bottle.
3. Push the tip of the oral syringe into the hole of the adapter cap (FIG. 1)
4. Carefully turn the bottle upside down. While holding the bottle securely with one hand, pull back the plunger of the oral syringe downward with the other hand so that the liquid is drawn from the bottle into the syringe (FIG. 2).

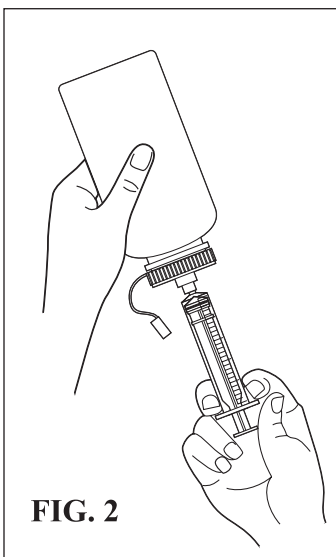


FIG. 2

5. For accurate measurement, use the position of the black plunger ring closest to the tip of the syringe and note the number to which it is closest. Add 0.2 mL for every line on which the black plunger ring rests below the nearest whole number. For example, three lines below the "2" mark equals 2.6 mL and one line below the "4" mark equals 4.2 mL. Four lines below the top mark equals 0.8 mL. (FIG. 3).

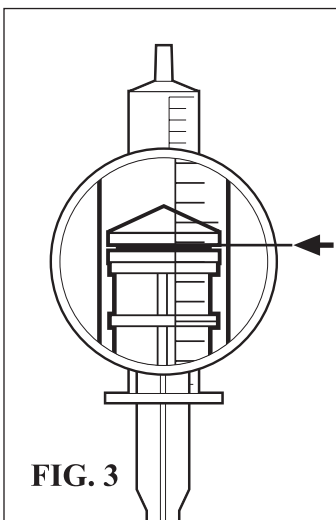


FIG. 3

6. Turn the bottle back upright and carefully remove the oral syringe from the adapter cap, holding it by the barrel rather than the plunger.
7. After administering the dose, snap the flip top lid onto the hole of the adapter cap.
8. Rinse the oral syringe in warm water and leave to dry.

 **CUTISPHARMA, INC.**