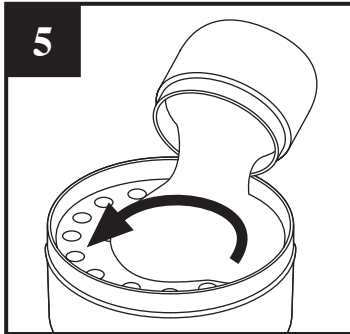
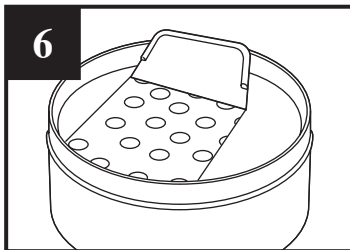


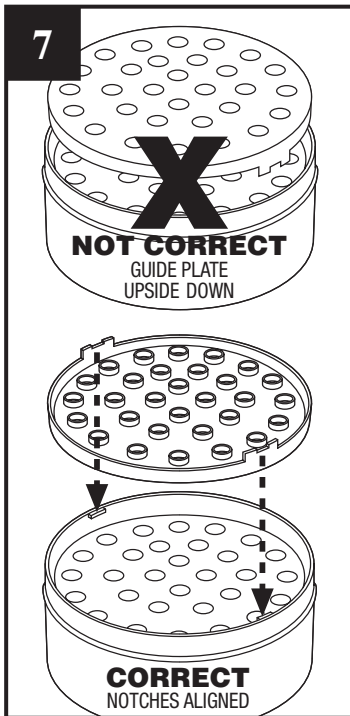
4. Using the stirrer provided, carefully stir the progesterone powder in the melted fatty acid base until an homogeneous suspension is apparent (30 to 60 seconds). **Be careful not to stir so vigorously as to spill the suspension outside the jar.**



5. With an even flow, carefully pour the entire suspension from the jar onto the 30-unit suppository mold in a circular motion filling each of the 30 suppository cavities.



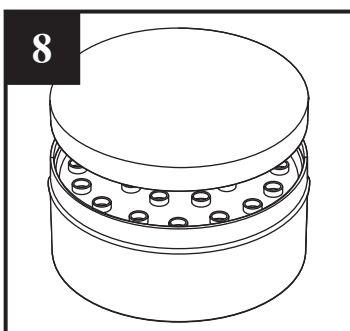
6. Using the suppository filling tool provided, spread the suspension evenly over the suppository cavities until all the cavities are completely filled.



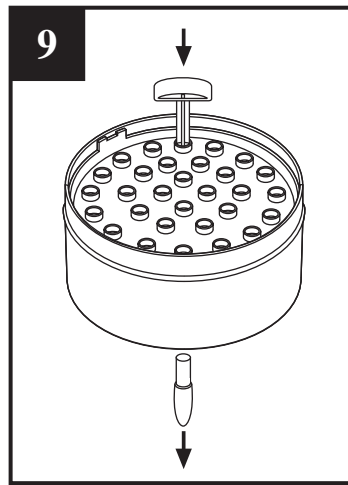
7. Place the provided guide plate onto the mold with the 30 raised guide holes facing upward.

IMPORTANT:
Make certain the notches on the guide plate align with notches on suppository mold.

This will ensure that the 30 suppository cavities are aligned with the raised holes in the guide plate. Gently push the guide plate down to lock it in place. It is important that you fit the guide plate properly in order for your patient to dispense the suppositories easily.



8. Place the provided cover with attached suppository dispensing tool onto the suppository mold. Store entire unit at refrigerated temperature for at least 15 minutes in order to allow the suppositories to solidify. Visually check the suppositories for solidification before dispensing the entire unit to your patient.



9. Make certain to instruct your patient how to dispense each suppository for daily use. Using the suppository dispensing tool attached to the mold cover, place the tip of the tool into the guide plate and with a firm force push the suppository through. Your patient should refrigerate the mold at least 1 hour for total solidification before dispensing the first suppository for use. **Important: Be sure to instruct your patient to remove the red suppository cap from the suppository before inserting each suppository.**

Dispose of waste in accordance with all applicable state/federal laws and regulations.

Prior to compounding, store FIRST®- Progesterone VGS 100 Compounding Kit at room temperature between 15°-30°C (59°-86°F) [see USP]. Also, store the compounded suppositories in the 30-unit suppository mold in the refrigerator (2°-8°C [36°-46°F]). FIRST®- Progesterone VGS 100 Compounding Kit components have a two-year expiration date.** The preparation of vaginal suppositories using FIRST®- Progesterone VGS 100 Compounding Kit complies with the requirements of USP, and as such, compounded suppositories made using FIRST®- Progesterone VGS 100 Compounding Kit can be used for up to ninety days after the day on which they were compounded.

When compounded and dispensed according to the instructions, average suppository weight has been found to be 2.3 grams and contain 90–110% of progesterone as labeled.**

The suppository mold and its accessories contained in this kit meet the requirements for USP Cytotoxicity Test, as well as Class VI Tests for plastic containers.**

Instruct patient as follows:

- For vaginal use only
- Do not take orally
- Do not insert in urinary opening or anus
- Avoid contact with eyes
- Keep out of reach of children
- Protect from light
- Keep container tightly closed
- Store suppositories in the mold, in the refrigerator
- Remove red caps from suppositories prior to use

* Certificate of analysis on file

** Data and documentation on file

R only

Revised: May 2015

U.S. Patents: 7,434,690 B2; 7,815,929 B2; 8,276,757 B2

Manufactured for:

CP **CUTISPHARMA, INC.**

Transforming Compounding through Innovation™
Wilmington, MA 01887, USA www.cutispharma.com



REV 5